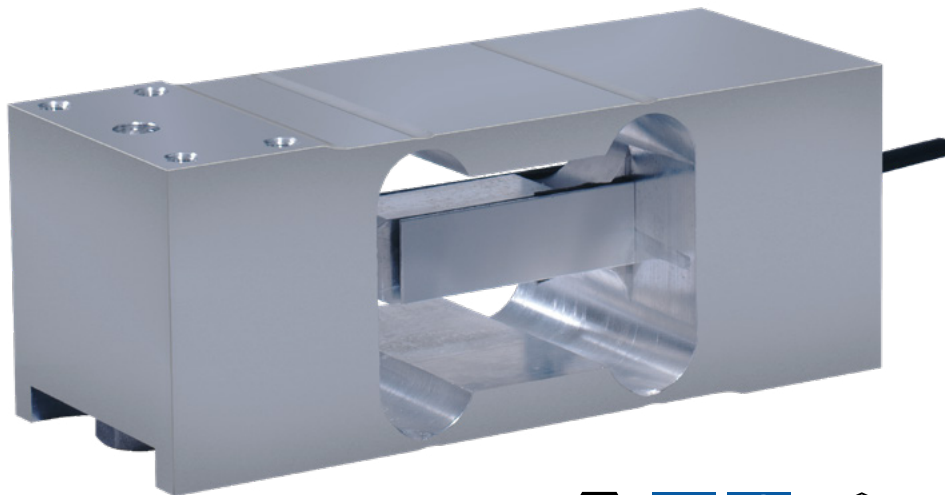


Single Point Load Cell AB with a Rated Load of 50 ... 500 kg

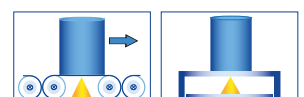


Performance Features

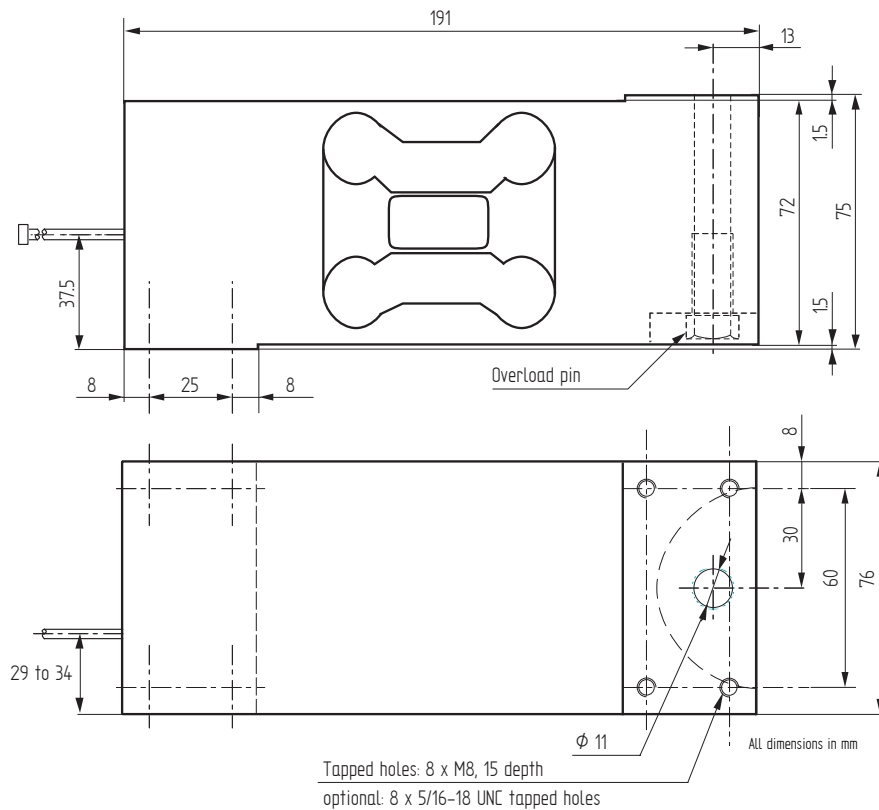
- Aluminum single point load cell
- 5000d OIML R60 and 5000d NTEP approved
- Level of protection IP65
- 6-wire configuration
- Designed for platforms of maximum dimensions 800 mm x 800 mm (off-center load compensated)
- ATEX 2014/34/EU version for hazardous area (option)

Application

- Food industry
- Coal and steel industry
- Chemical/pharmaceutical industry
- Waste management/recycling
- Packaging technology



Dimensions of AB in mm



Article-No.	Version	Rated Load [kg]
100191	C3 10e	50
101072	C3 10e	75
100192	C3 10e	100
111399	C3 10e	150
100193	C3 10e	200
101075	C3 10e	250
101074	C3 10e	300
100194	C3 10e	500

Connection Assignment

Electrical Connection	
Function	Wire Color
Excitation (+)	Brown ●
Signal (+)	Yellow ●
Signal (-)	White ○
Excitation (-)	Green ●
Sensing (+)	Gray ●
Sensing (-)	Pink ●

Technical Data

Type	AB	
Version		C3 10e
Rated load E_{nom}	kg	50; 75; 100; 150; 200; 250; 300; 500
Maximum load for approved weighing E_{max}	kg	65; 90; 130; 185; 250; 310; 375; 625
Accuracy class OIML R60		C3
Maximum numbers of load cell intervals n_{max}	d OIML	3000
Minimum verification interval v_{min}	kg	E/10000
Creep division factor $Z = E_{max}/2 \times DR$		5000
Combined error	% E	± 0.017
Temperature coefficient of zero signal	% E/°C	± 0.0014
Temperature coefficient of characteristic value	% E/°C	± 0.0014
Load creep $d_{cr, F}$ in 30 min.	% E	± 0.025
Zero balance	% E	± 10
Rated characteristic value C_{nom}	mV/V	$2 \pm 10\%$
Rated range of excitation voltage $B_{U, nom}$	V	1 ... 15
Input resistance R_e	Ω	410 ± 20
Output resistance R_a	Ω	350 ± 5
Insulation resistance R_{is}	M Ω /50V	1000
Electrical connection		Cable, PVC, 3 m
Rated temperature range $B_{T, nom}$	°C	-10 ... 40
Operating temperature range $B_{T, G}$	°C	-20 ... 60
Limit load E_{lim}	% E_{max}	150
Breaking load E_b	% E_{max}	200
Tightening torque	Nm	40
Maximum platform dimension	mm	800 x 800
Level of protection	EN 60529	IP65
Material		Aluminum
Weight	kg	2.1

Options

Article-No.	Description
111735	Protective coating
107798	ATEX 2014/34/EU, IECEx: ex II 1 G/D, Ex ia IIC T6 Ga, Ex ia IIIC T80 °C Da, IP6X, -20 °C < Ta < +60 °C (zones gaz 0/1/2, dust 20/21/22)
115049	ATEX 2014/34/EU, IECEx: ex II 1 D, Ex ta IIIC T125 °C Da, IP6X, -20 °C < Ta < +60 °C (zones dust 20/21/22)
115048	ATEX 2014/34/EU, IECEx: ex II 3 G, Ex nA IIC T6 Gc, -20 °C < Ta < +60 °C (zone gaz 2)
-	C5 Version (5000 d OIML) on request
-	Marking FACTORY MUTUAL (FM): I.S., CL I, II, III / DIV 1 / GP ABCDEFG N.I., CL I, II, III / DIV 2 / GP ABCDEFG; NIFW

Accessories

Electrical Connection

Article-No.	Description
10323	Male cable connector KS6 (6-pin, Series 581) incl. mounting
10320	Male cable connector KSSH15 (15-pin) incl. mounting
43418	Input connector ZA9612FS (ALMEMO) incl. sensor mounting and connector calibration
49205	Input connector ZKD712FS (ALMEMO 202) incl. sensor mounting and connector calibration

Weighing Electronics

ALCJB-A	CPJ/CPJ2S	IPE50 Panel
 The image shows three white plastic terminal blocks of the ALCJB-A series. One is shown from the top, another from the side, and a third from the bottom, revealing the internal green PCB and gold-plated terminals.	 The image shows a single green plastic terminal block of the CPJ/CPJ2S series, featuring a vertical slot and a small label on the side.	 The image shows the IPE50 Panel, a blue and black electronic device with a red LED display showing '30000' and several control buttons.

Further suitable accessories you can find on our homepage under:
https://www.lorenz-messtechnik.de/english/products/lc_weighing-electronics.php